




* All images in this datasheet are for illustrative purposes only.


UHD Signage UH5J Series

New High Haze UHD Standard Signage

 Proper Display Brightness

 webOS Smart Platform

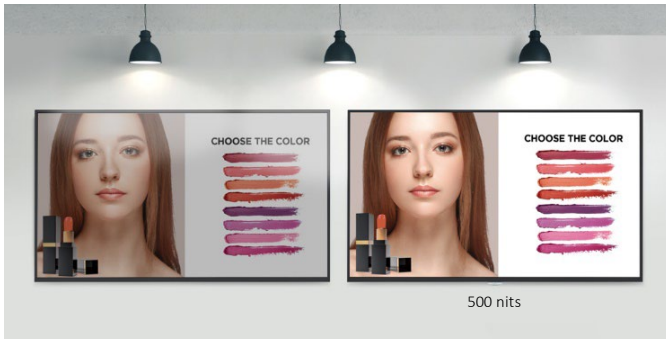
 Mobile Content Management

 Meeting Room Solution



UH5J Series

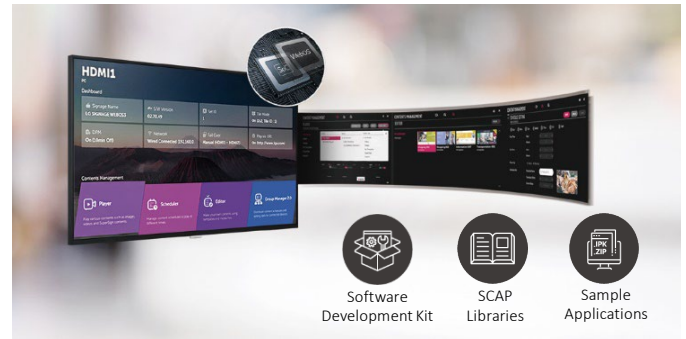
Screen Size	98" / 86" / 75" / 65" / 55" / 49" / 43"
Native Resolution	3,840 × 2,160 (UHD)
Bezel Color	Black
Brightness	500 nits (Typ.)
Bezel	98" / 75": 14.9 mm (Even bezel) 86": 14.3 mm (Even bezel) 65" / 55" / 49": 9.9 mm (T/R/L), 14.4 mm (B) 43": 8.4 mm (T/R/L), 14.4 mm (B)
Depth	98": 86.1 mm 86": 60.6 mm 75": 57.9 mm 65" / 55" / 49" / 43": 39.9 mm



Appropriate Display Brightness

With a brightness of 500 nits, the UH5J series clearly delivers content and can attract attention, making it suitable for displaying presentations and marketing communications in meeting rooms, retail spaces, airports, shopping malls and more.

* Actual images available may differ from the example images shown.



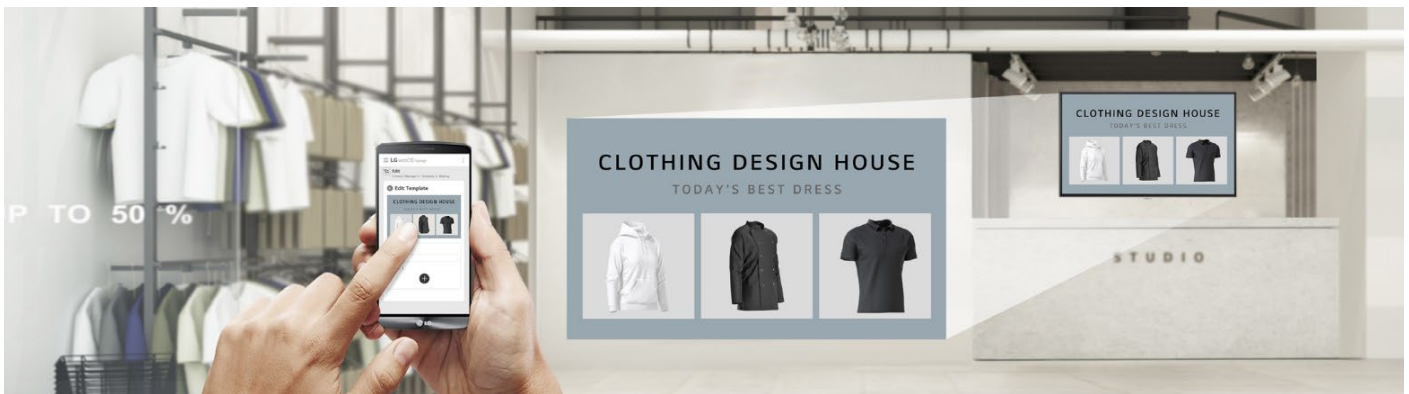
High-Performance with webOS

The built-in System on Chip can execute several tasks at once while providing smooth content playback without the need for a media player. Also, the LG webOS Signage platform provides an intuitive, TV-style remote controlled user interface that is easy to learn and consistent across many LG products.



Conformal Coating

In various places your signage may be unable to avoid exposure to environments containing dust or humidity which may hamper performance over time. The conformal coating on power board helps protect UH5J series circuit boards from external particles.



Mobile Content Management

Using the free, downloadable* signage app Promota, users can create custom templates from recommendations on the app to easily promote content on their signage. Visit <https://www.promota.net> for details.

* LG Promota is can be downloaded from the App Store and Google Play store.



IP5x Certified Design

The IP5x Certification ensures that the product is protected from dust, reducing the risk of performance degradation.



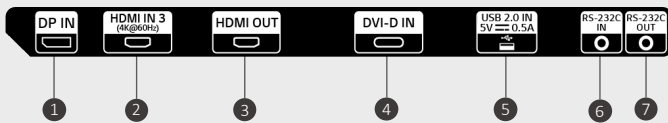
Compatible with AV Control System

The UH5J series has been certified Crestron Connected® for high compatibility with professional AV controls to achieve virtually seamless integration and automated, network-based control.

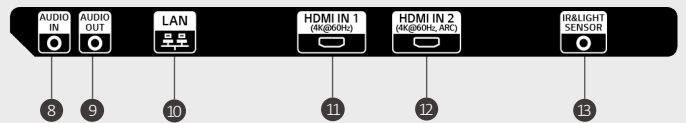
CONNECTIVITY

98"

Side

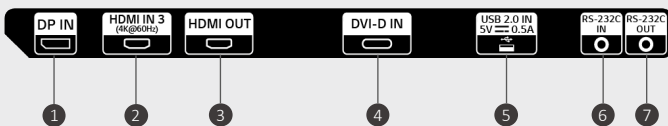


Bottom

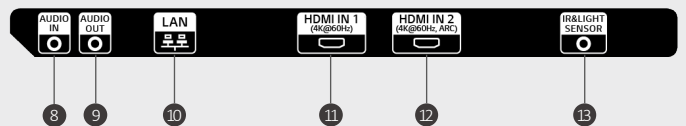


86" / 75"

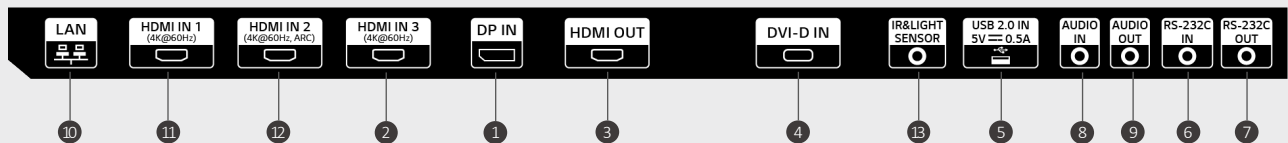
Side



Bottom



65" / 55" / 49" / 43"

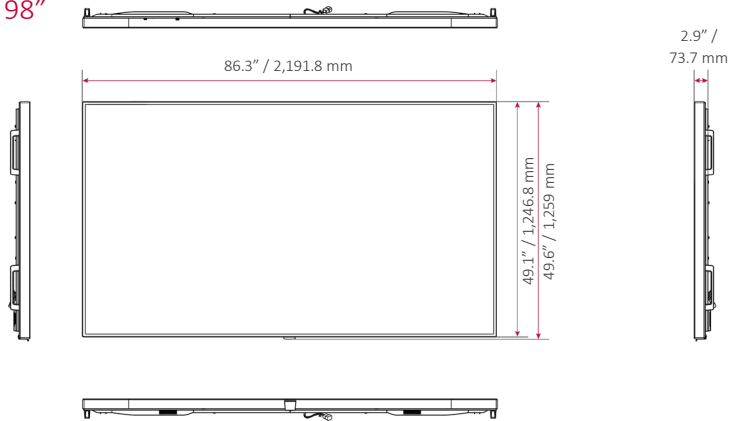


- 1 DP IN
- 2 HDMI IN 3
- 3 HDMI OUT
- 4 DVI-D IN
- 5 USB 2.0 IN
- 6 RS-232C IN
- 7 RS-232C OUT
- 8 AUDIO IN
- 9 AUDIO OUT
- 10 LAN
- 11 HDMI IN 1
- 12 HDMI IN 2
- 13 IR&LIGHT SENSOR

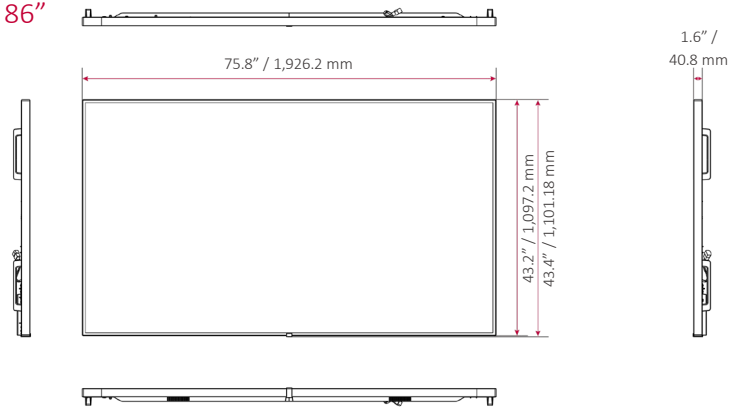
* Jack Panels may differ from the above image, so please contact LG sales team to verify before ordering.

DIMENSIONS

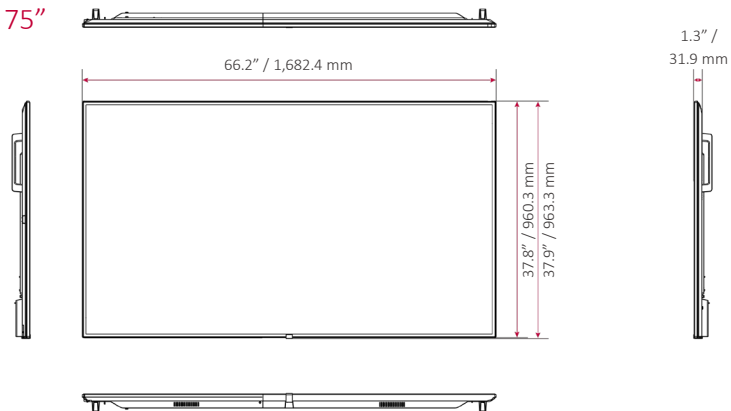
98"



86"

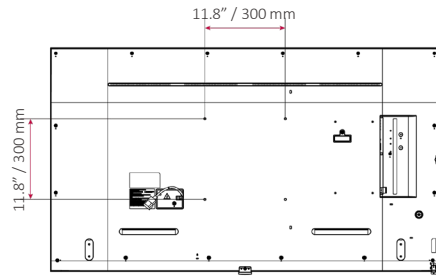
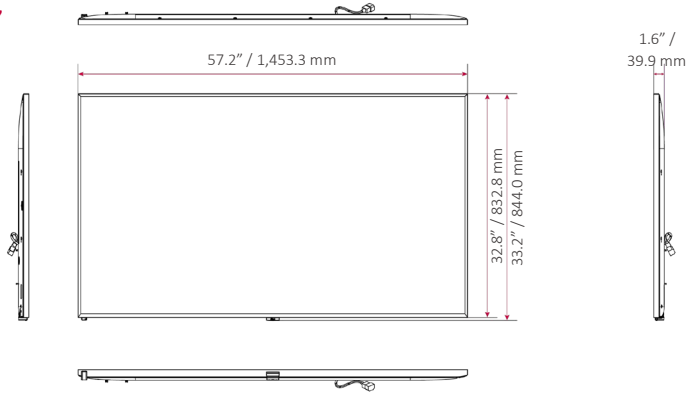


75"

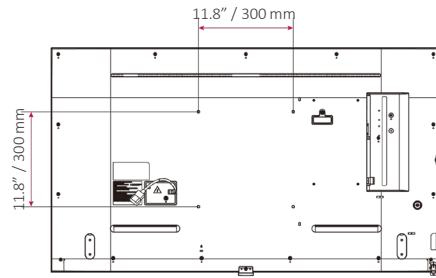
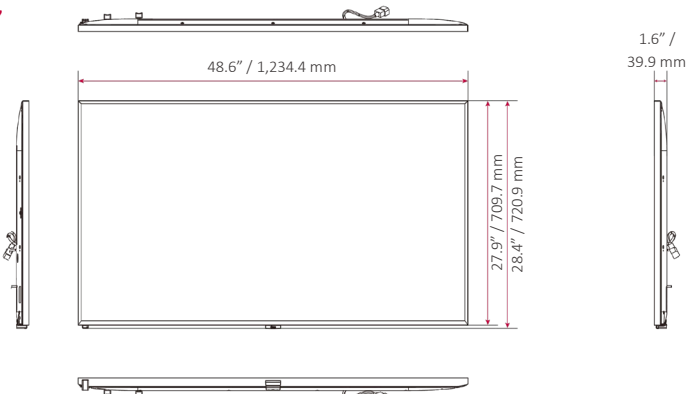


DIMENSIONS

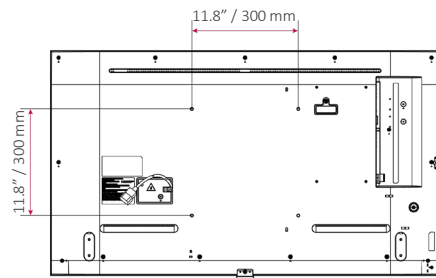
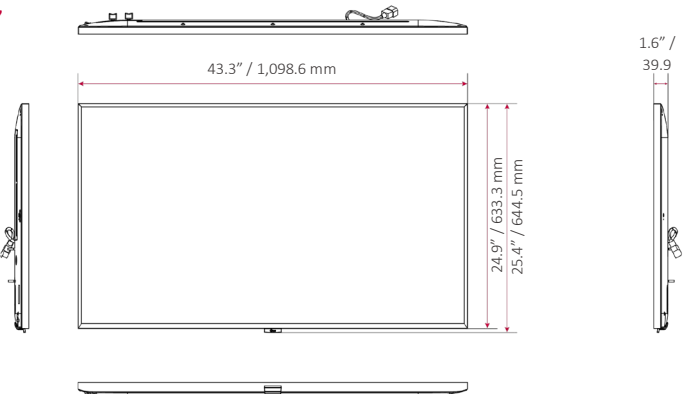
65"



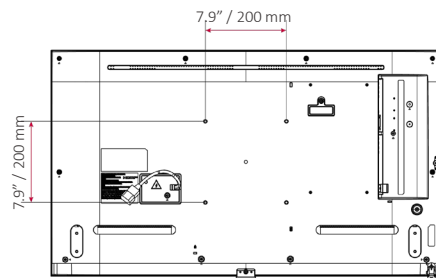
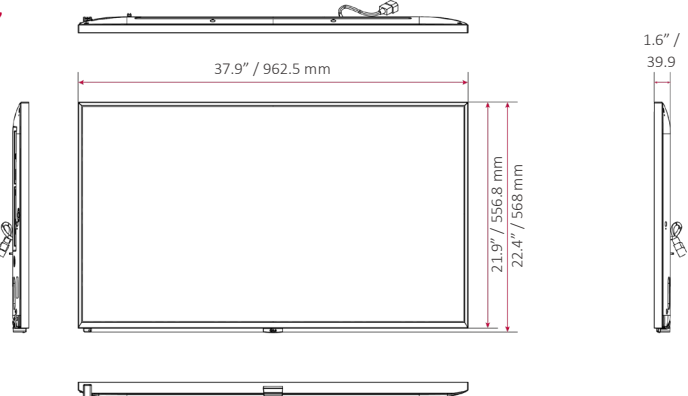
55"



49"



43"



* Dimensions may differ from the above image, so please contact LG sales team to verify before ordering.

SPECIFICATIONS

		98UH5J-H	86UH5J-H	75UH5J-M	65UH5J-H	55UH5J-H	49UH5J-H	43UH5J-H
Panel	Screen Size	98"	86"	75"	65"	55"	49"	43"
	Panel Technology	IPS	IPS	IPS	IPS	IPS	IPS	IPS
	Back Light Type	Direct	Edge	Edge	Edge	Edge	Edge	Edge
	Aspect Ratio	16 : 9	16 : 9	16 : 9	16 : 9	16 : 9	16 : 9	16 : 9
	Native Resolution	3,840 × 2,160 (UHD)	3,840 × 2,160 (UHD)	3,840 × 2,160 (UHD)	3,840 × 2,160 (UHD)	3,840 × 2,160 (UHD)	3,840 × 2,160 (UHD)	3,840 × 2,160 (UHD)
	Refresh Rate	60 Hz	120 Hz	120 Hz	60 Hz	60 Hz	60 Hz	60 Hz
	Brightness	500 nits (Typ.)	500 nits (Typ.)	500 nits (Typ.)	500 nits (Typ.)	500 nits (Typ.)	500 nits (Typ.)	500 nits (Typ.)
	Contrast Ratio	1,200 : 1	1,100 : 1	1,000 : 1	1,100 : 1	1,100 : 1	1,100 : 1	1,200 : 1
	Dynamic CR ¹	1,000,000 : 1	1,000,000 : 1	1,000,000 : 1	1,000,000 : 1	1,000,000 : 1	1,000,000 : 1	1,000,000 : 1
	Color Gamut	NTSC 72%	NTSC 72%	NTSC 72%	BT709 95%	BT709 95%	BT709 95%	BT709 95%
	Viewing Angle (H × V)	178° × 178°	178° × 178°	178° × 178°	178° × 178°	178° × 178°	178° × 178°	178° × 178°
	Color Depth	1.07 Billion Colors (10 bit)	1.07 Billion Colors (10 bit (D))	1.07 Billion Colors (10 bit (D))	1.07 Billion Colors (10 bit (D))	1.07 Billion Colors (10 bit (D))	1.07 Billion Colors (10 bit (D))	1.07 Billion Colors (8 bit + FRC)
	Response Time (G to G)	8 ms	8 ms	6 ms	8 ms	8 ms	8 ms	8 ms
Surface Treatment (Haze)	28%	28%	28%	28%	28%	28%	25%	
Lifetime	Up to 50,000 Hrs.	Up to 50,000 Hrs.	Up to 50,000 Hrs.	Up to 50,000 Hrs.	Up to 50,000 Hrs.	Up to 50,000 Hrs.	Up to 50,000 Hrs.	
Operation Hours (Hours/Day)	24 / 7	24 / 7	24 / 7	24 / 7	24 / 7	24 / 7	24 / 7	
Portrait / Landscape	Yes / Yes	Yes / Yes	Yes / Yes	Yes / Yes	Yes / Yes	Yes / Yes	Yes / Yes	
Connectivity	Input	HDMI (x2, HDCP 2.2/1.4), HDMI (HDCP 1.4), DP (HDCP 2.2/1.3), DVI-D (HDCP 1.4), Audio In, RS-232C In (4 Pin 3.5mm jack), RJ45 (LAN), IR In, USB 2.0 (x2, Type A)						
	Output	HDMI Out, Audio Out, External Control (RS-232C Out (4 Pin 3.5mm jack))						
Mechanical Specification	Bezel Color	Black	Black	Black	Black	Black	Black	Black
	Bezel Width	14.9 mm (Even Bezel)	14.3 mm (Even Bezel)	14.9 mm (Even Bezel)	9.9 mm (T/R/L), 14.4 mm (B)	9.9 mm (T/R/L), 14.4 mm (B)	9.9 mm (T/R/L), 14.4 mm (B)	8.4 mm (T/R/L), 14.4 mm (B)
	Weight	145.5 lbs. / 66 kg	108.0 lbs. / 49 kg	91.5 lbs. / 41.5 kg	62.2 lbs. / 28.2 kg	41.9 lbs. / 19.9 kg	34.0 lbs. / 15.4 kg	24.7 lbs. / 11.2 kg
	Weight with Stand	n/a	n/a	n/a	63.5 lbs. / 28.8 kg	19.6 lbs. / 9.6 kg	35.3 lbs. / 16 kg	26.0 lbs. / 11.8 kg
	Shipping Weight	218.3 lbs. / 99 kg	159.8 lbs. / 72.5 kg (With Pallet)	112.9 lbs. / 51.2 kg	77.2 lbs. / 35 kg	53.4 lbs. / 24.2 kg	41.4 lbs. / 18.8 kg	30.2 lbs. / 13.7 kg
	Dimensions (W × H × D) (without handle)	86.3 × 49.1 × 3.4 in. 2,191.8 × 1,246.8 × 86.1 mm (without LG Logo)	75.8 × 43.2 × 2.4 in. 1,926.2 × 1,097.2 × 60.6 mm (without LG Logo)	66.2 × 37.8 × 2.3 in. 1,682.4 × 960.3 × 57.9 mm (without LG Logo)	57.2 × 33.2 × 1.6 in. 1,453.3 × 844 × 39.9 mm (with LG Logo)	48.6 × 28.4 × 1.6 in. 1,234.4 × 720.9 × 39.9 mm (with LG Logo)	43.3 × 25.4 × 1.6 in. 1,098.6 × 644.5 × 39.9 mm (with LG Logo)	37.9 × 22.4 × 1.6 in. 962.5 × 568 × 39.9 mm (with LG Logo)
	Dimensions with Stand (W × H × D)	n/a	n/a	n/a	57.2 × 35.2 × 11.4 in. 1,453.3 × 893.1 × 290.0 mm	48.6 × 30.3 × 11.4 in. 1,234.4 × 770.7 × 290.0 mm	43.3 × 27.3 × 11.4 in. 1,098.6 × 694.3 × 290.0 mm	37.9 × 24.1 × 11.4 in. 962.5 × 613.1 × 290.0 mm
	Shipping Dimensions (W × H × D)	92.2 × 54.6 × 16.5 in. 2,342 × 1,386 × 420 mm	80.2 × 49.2 × 11.2 in. 2,037 × 1,250 × 285 mm	71.5 × 44.3 × 9.0 in. 1,816 × 1,126 × 228 mm	63.0 × 43.1 × 6.9 in. 1,600 × 1,095 × 175 mm	53.5 × 32.9 × 6.9 in. 1,360 × 835 × 175 mm	47.1 × 30.5 × 6.4 in. 1,197 × 775 × 162 mm	41.7 × 26.0 × 6.0 in. 1,060 × 660 × 152 mm
	Handle	Yes	Yes	Yes	No	No	No	No
	VESA™ Standard Mount Interface	800 × 400 mm	600 × 400 mm	600 × 400 mm	300 × 300 mm	300 × 300 mm	300 × 300 mm	200 × 200 mm
Key Features	Internal Memory 16 GB, Built-in Wi-Fi, Sensor (Temperature Sensor, Auto Brightness Sensor, Acceleration (Gyro) Sensor), Local Key Operation, webOS 6.0, Embedded CMS (Local Contents Scheduling, Group Manager), USB Plug & Play, Fail Over, Background Image (Booting Logo Image, No Signal Image), Sync Mode (RS-232C Sync, Local Network Sync), Multi-screen (PIP, PBP (4)), Screen Share, Video Tag (4), Play via URL, Rotation (Screen Rotation, External Input Rotation), Gapless Playback, Tile Mode Setting (Max. 15 × 15), Setting Data Cloning, SNMP, ISM Method, Auto Set ID, Status Mailing, Control Manager, 3 rd Party Compatibility (Crestron Connected*), Power (Smart Energy Saving, PM Mode, Wake on LAN, Network Ready (Except 98"/86"/75")), Beacon, HDMI-CEC ² , SI Server Setting, webRTC, Prodiom							
Environment Conditions	Operation Temperature	32°F to 104°F 0°C to 40°C	32°F to 104°F 0°C to 40°C	32°F to 104°F 0°C to 40°C	32°F to 104°F 0°C to 40°C	32°F to 104°F 0°C to 40°C	32°F to 104°F 0°C to 40°C	32°F to 104°F 0°C to 40°C
	Operation Humidity	10% to 80%	10% to 80%	10% to 80%	10% to 80%	10% to 80%	10% to 80%	10% to 80%
Electrical	Power Supply	100-240Vac, 50/60Hz	100-240Vac, 50/60Hz	100-240Vac, 50/60Hz	100-240Vac, 50/60Hz	100-240Vac, 50/60Hz	100-240Vac, 50/60Hz	100-240Vac, 50/60Hz
	Power Type	Built-in Power	Built-in Power	Built-in Power	Built-in Power	Built-in Power	Built-in Power	Built-in Power
	Power Consumptions (Typ. / Max.)	420 W / 570 W	215 W / 280 W	180 W / 260 W	130 W / 190 W	110 W / 150 W	1000 W / 140 W	80 W / 120 W
	BTU (British Thermal Units)	1,433 BTU/Hr (Typ.), 1,945 BTU/Hr (Max.)	733.69 BTU/Hr (Typ.), 955.5 BTU/Hr (Max.)	614.25 BTU/Hr (Typ.), 887.25 BTU/Hr (Max.)	444 BTU/Hr (Typ.), 649 BTU/Hr (Max.)	376 BTU/Hr (Typ.), 512 BTU/Hr (Max.)	342 BTU/Hr (Typ.), 478 BTU/Hr (Max.)	273 BTU/Hr (Typ.), 410 BTU/Hr (Max.)
	Smart Energy Saving	294 W	150.5 W	126 W	91 W	77 W	70 W	56 W
	DPM	0.5 W	0.5 W	0.5 W	0.5 W	0.5 W	0.5 W	0.5 W
Power off	0.5 W	0.5 W	0.5 W	0.5 W	0.5 W	0.5 W	0.5 W	
Sound	Speaker	Yes	Yes	Yes	Yes	Yes	Yes	Yes
	Safety	CB / NRTL	CB / NRTL	CB / NRTL	CB / NRTL	CB / NRTL	CB / NRTL	CB / NRTL
Certifications	EMC	FCC Class "A" / CE	FCC Class "A" / CE	FCC Class "A" / CE	FCC Class "A" / CE	FCC Class "A" / CE	FCC Class "A" / CE	FCC Class "A" / CE
	ErP / Energy Star	Yes (NewErP) / No (TDB)	Yes (NewErP) / No (TDB)	Yes (NewErP) / Yes (TDB)	Yes (NewErP) / Yes	Yes (NewErP) / Yes	Yes (NewErP) / Yes	Yes (NewErP) / Yes
OPS Compatibility	OPS Type Compatible	No	Yes	Yes	Yes	Yes	Yes	Yes
	OPS Power Built-in	No	No	No	No	No	No	No
LG Software Compatibility	SuperSign CMS, SuperSign Control / Control+, SuperSign WB, SuperSign Media Editor, Promota (Not Available for EU/CIS), Mobile CMS, LG ConnectedCare ⁴							
Languages	English, French, German, Spanish, Italian, Korean, Chinese (Simplified), Chinese (Original), Portugues (Brazil), Swedish, Finnish, Norwegian, Danish, Russian, Japanese, Portugues (Europe), Dutch, Czech, Greek, Turkish, Arabic							
Accessories	Basic	Remote Control, Power Cord, QSG, Regulation Book, Phone to RS-232C Gender						
	Optional	-	OPS Kit (KT-OPSF), LSW640A/B (Wall Mount)	Stand(ST-653T), Wall Bracket(LSW350B), OPS Kit(KT-OPSF)				
Special Feature	Overlay Touch Compatibility	No	No	No	No	No	No	No
	Tilt (Facedown)	n/a	n/a	n/a	Yes (Max. 30°) ⁵	Yes (Max. 30°) ⁵	Yes (Max. 30°) ⁵	Yes (Max. 15°) ⁵
	IP Rating	n/a	n/a	n/a	IP5X	IP5X	IP5X	IP5X

¹ The luminosity ratio of Full Black / Full White color on video input condition.

² Network based control.

³ Compatibility may differ by equipment.

⁴ The availability can differ by region.

⁵ In conditions within 30°C temperature, 50% humidity.

* Specifications are subject to change without notice. Please make sure to check the product manual for details about product usage.